



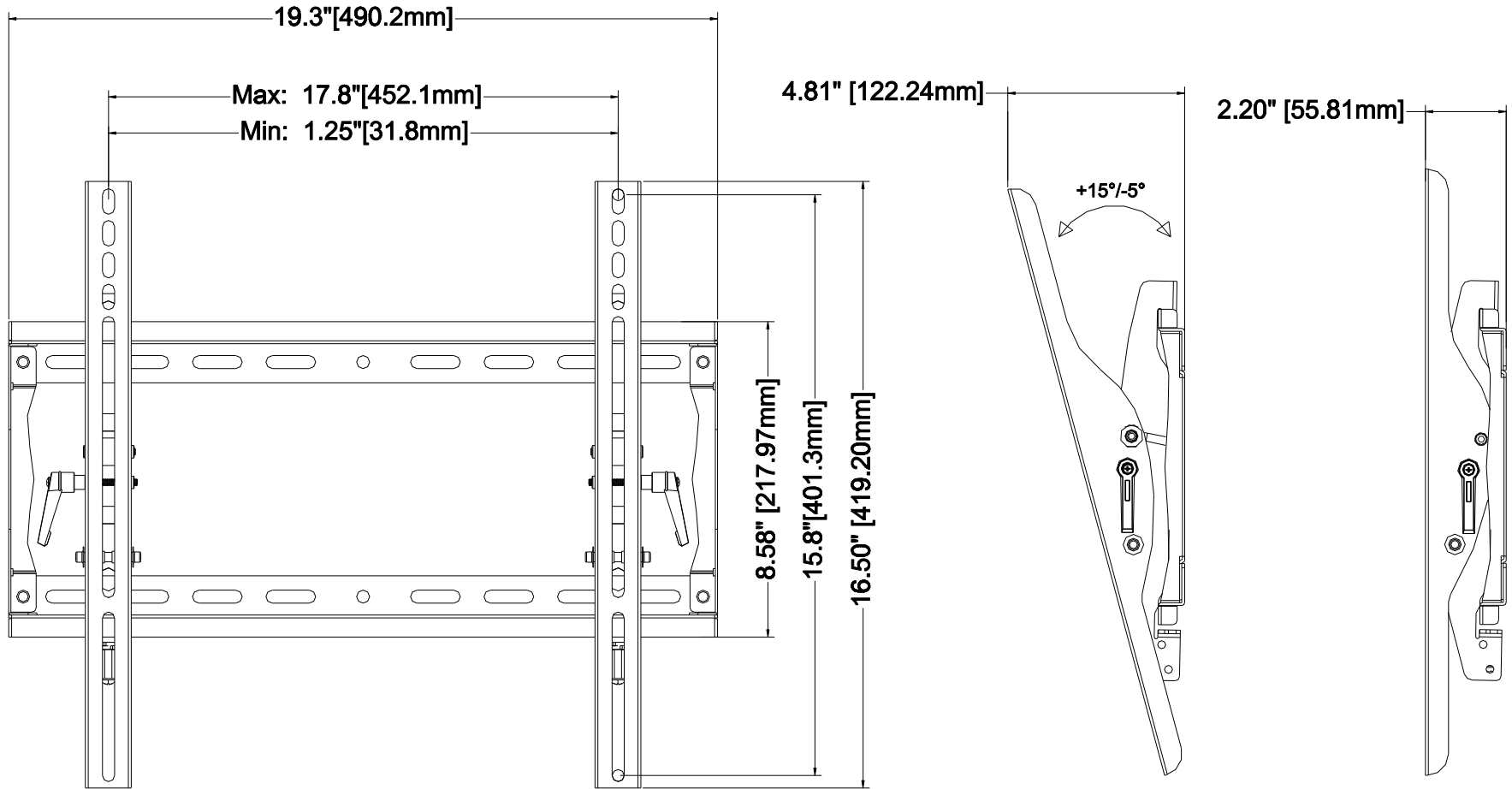
BAILEY HILL
Healthcare Solutions

Taylor Bailey
Longview, TX
Cell: 903-238-4306
Email: tbailey@baileyhill-llc.com

Kersten Hill
College Station, TX
Cell: 903-746-7204
Email: khill@baileyhill-llc.com



Maximum load rating: 150 lbs



THE INFORMATION CONTAINED IN THIS DRAWING IS THE SOLE PROPERTY OF CRIMSON AV LLC. ANY REPRODUCTION IN PART OR AS A WHOLE WITHOUT THE WRITTEN PERMISSION OF CRIMSON AV LLC IS PROHIBITED

CRIMSON AV LLC.

PRODUCT ORDER NUMBER: T46

PHONE: 1-866-668-6888

Crimson AV LLC.
www.crimsonav.com

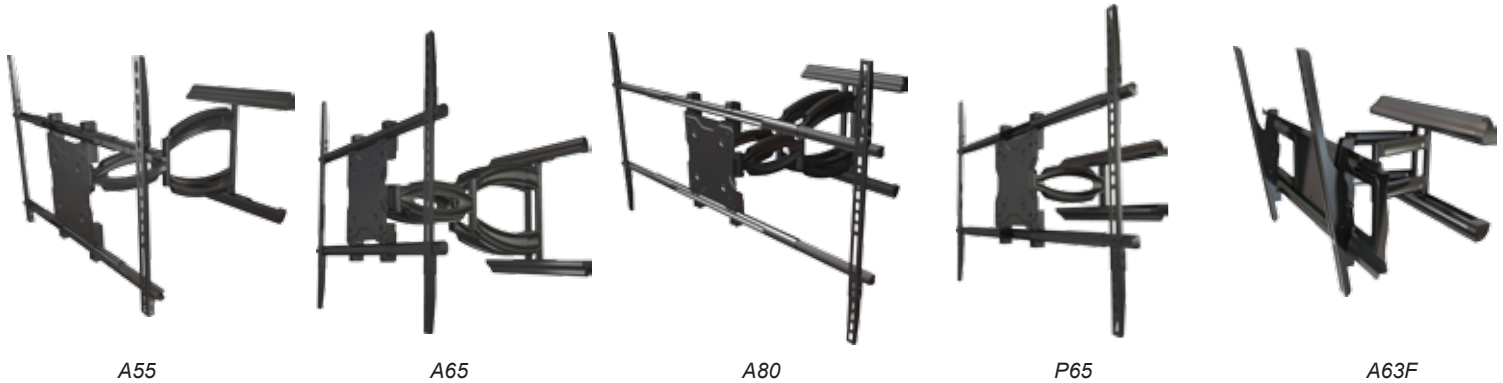
TITLE: **T46**

SIZE DWG.NO. **T46**

Scale=1:1



Universal



Model	TV Sizes	Max Mounting Pattern (WxH)	Max Extension From Wall	Load Rating
A55	37"-55"	690x540mm	27.0"	150lb
A65	37"-65"	800x672mm	27.0"	200lb
A80	42"-65"+	800x672mm	27.0"	200lb
P65	37"-65"	800x672mm	14.5"	150lb
A63F	37"-63"	723x501mm	15.5"	130lb



VESA



Model	TV Sizes	Max Mounting Pattern (WxH)	Max Extension From Wall	Load Rating
A55V	32"-55"	400x400mm	27.0"	150lb
P55V	32"-55"	400x400mm	14.4"	150lb

Installation

All models include a wall template and come pre-assembled for quick, easy, and efficient installation.

Installation Surfaces

Double wood stud structures, structural concrete and cinder block surfaces. For metal stud installation, use Crimson HT toggle bolt hardware.

Fully Adjustable

Simplified post-installation vertical adjustment and screen leveling. Side adjustment capability (pre or post installation) for precise placement, corner mounting and centering.

Smooth Lockable Tilt

Unique balanced smooth-tilt feature eliminates typical friction adjustment.

Stylish

Stylish, heavy duty design includes covers and cord management.

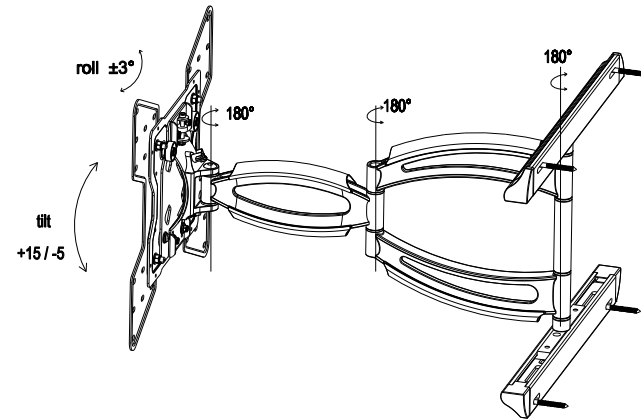
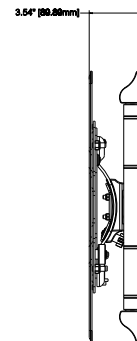
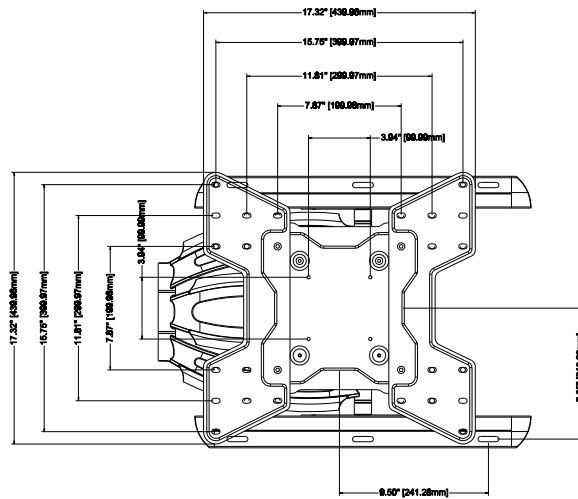
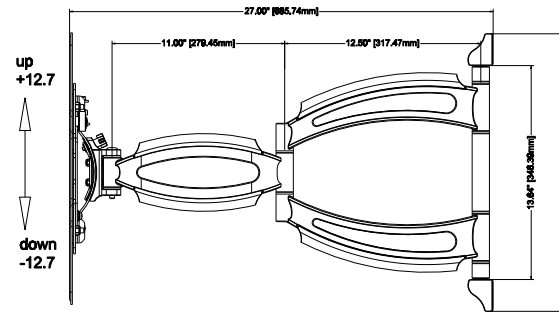
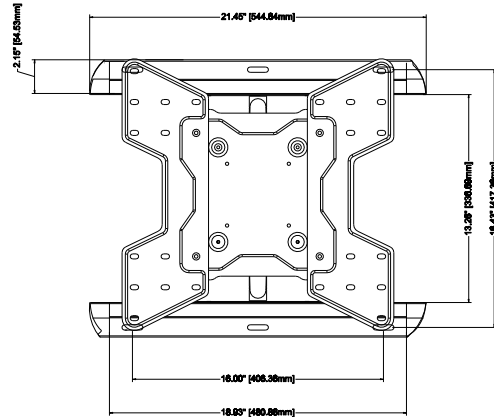
VESA Compatible

Series covers all VESA patterns to 800x600mm.

Construction

Fabricated from high-grade cold rolled steel and aluminum with durable epoxy powder coat finish. Includes a complete array of high-grade fasteners, in a pre-sorted hardware pack for easy selection. UL Listed.

Maximum load rating: 150 lbs



THE INFORMATION CONTAINED IN THIS DRAWING IS THE SOLE PROPERTY OF CRIMSON AV LLC. ANY REPRODUCTION IN PART OR AS A WHOLE WITHOUT THE WRITTEN PERMISSION OF CRIMSON AV LLC IS PROHIBITED

CRIMSON AV LLC.

PRODUCT ORDER NUMBER: A55V
PHONE: 1-866-668-6888

Scale=1:1

Crimson AV LLC. www.crimsonav.com	
TITLE: A55V	
SIZE B	DWG.NO. A55V

T55 Tilting Wall Mount

Universal mount for 32 - 80" displays

Best In Class Tilting Wall Mount Solution

- Universal design
- VESA compatible
- Pre-tensioned tilt mechanism for smooth adjustment
- Open wall plate allows easy access for wiring
- Lateral shift for perfect placement
- Pre-sorted hardware pack for easy installation to wood studs or concrete surfaces included



SKU	Display Size	Max VESA	Depth	Max Load
T55	32" - 80"	600x400mm	2.2"	200lb

Universal Design
Fits any hole pattern up to 660x501mm. Max VESA hole pattern 600x400mm.

Lateral Adjustment
Lateral adjustment functionality for positioning display in the right spot on the wall.

Tilt for perfect viewing
Pre-tensioned tilt mechanism allows for smooth tilt adjustment of 15° forward and 5° back.

Pre-Installed Securing Screws
Easy hook and secure installation and pre-assembled securing screw makes installation fast and easy.

Mounting Hardware
Complete set of display mounting hardware, labeled for ease of use and ready to go.

T55 Tilting Wall Mount

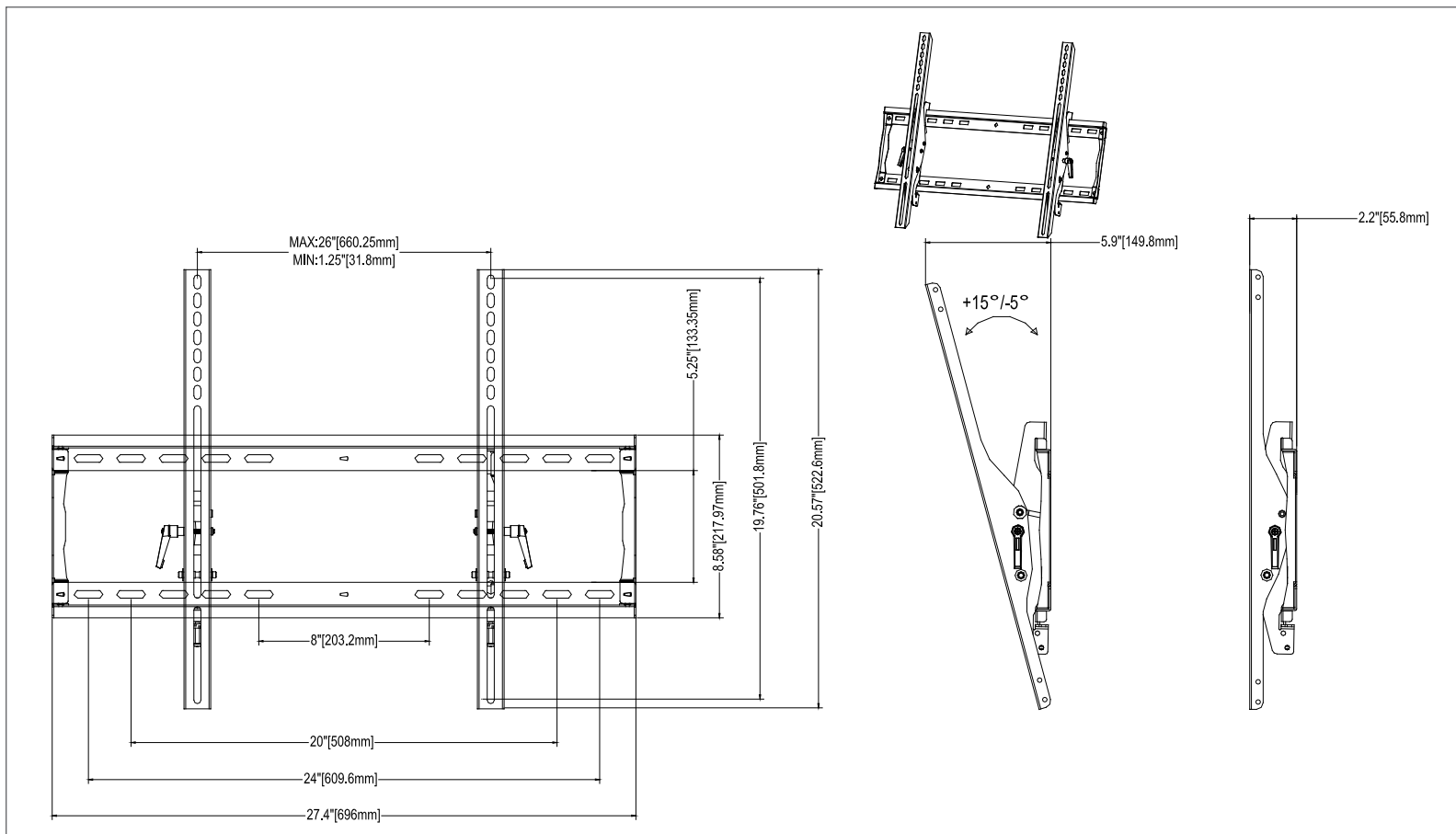
Universal mount for 32-80" displays

1-866-MOUNT-TV
www.crimsonav.com



Attribute	Value
Display size	32" - 80"
Lateral adjustment	Varies with Display
Weight capacity	200lb (91kg)
Max mounting pattern	660x501mm
Depth	2.2" (55.8mm)
Tilt	+15°/-5°
Construction	High-grade cold rolled steel
Color	Black
Warranty	Limited lifetime
Product Weight	6.8lb (3.1kg)

Universal tilting mount for 32" to 80" displays. Adjustable tilt wall mount with Universal hole pattern to fit a wide selection displays. Smooth tilt adjustments of 15° forward and 5° back with a locking knob for a variety of viewing angles. Makes a secure installation quick and easy, simply hang the display and turn the pre-assembled securing screw to lock in place. Open wall plate design provides easy access to wiring.

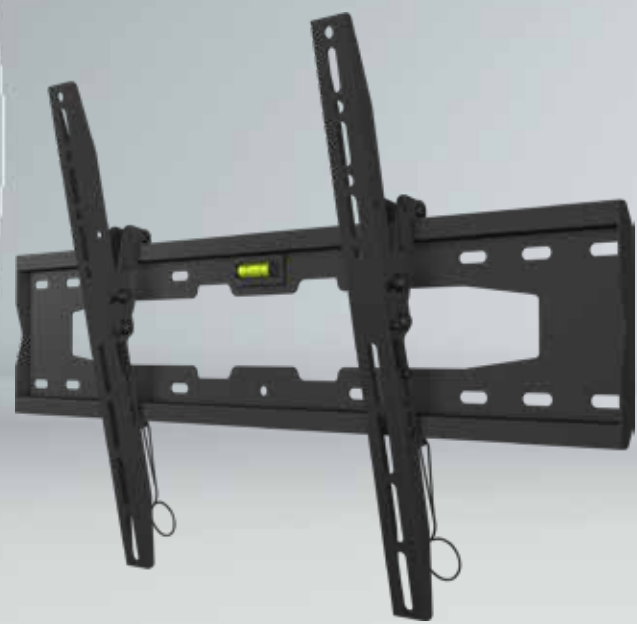


WTA64 Tilting Wall Mount

Universal Mount For 32"-75" Displays

Best In Class Flat Wall Mount Solution

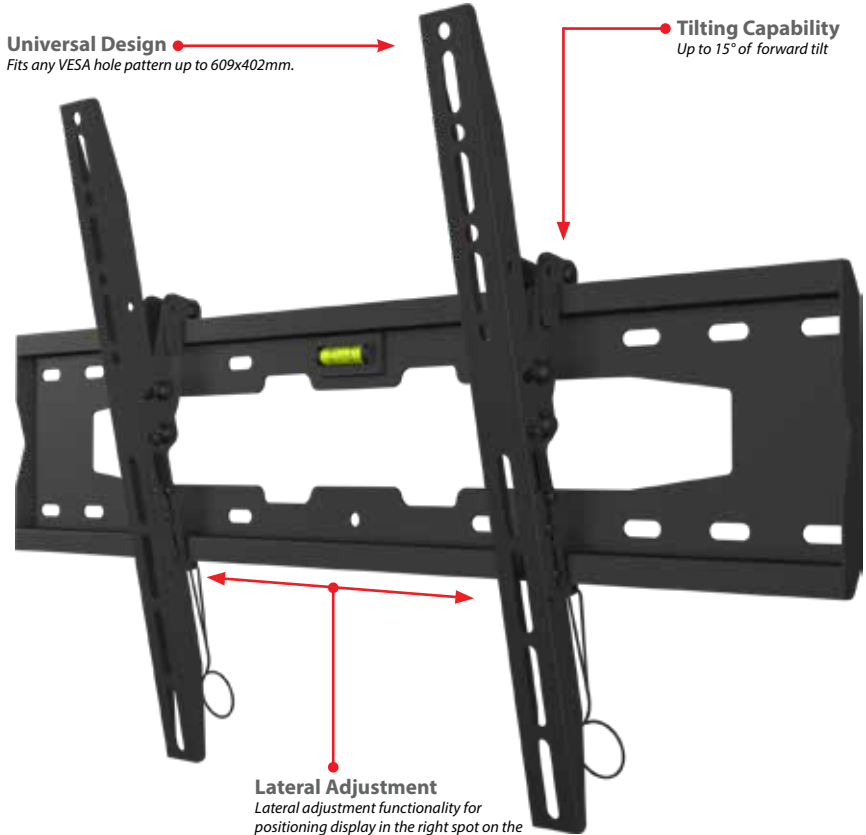
- Universal design
- VESA compatible
- Up to 15° of smooth tilt adjustment for perfect viewing angle
- Slim design holding display only 1.40" from the wall
- Post installation display leveling without use of tools
- Integrated cable management for clean look
- Pre-sorted hardware pack for easy installation to wood studs or concrete surfaces included




Model	Display Size	Max VESA	Total Load
WTA64	32" - 75"	600x402mm	100lb


Universal Design
Fits any VESA hole pattern up to 609x402mm.

Tilting Capability
Up to 15° of forward tilt






Low-profile design
Engineered to hold displays closely to their mounting surfaces, the WTA64 is a mere 1.4" in depth.



Post-Installation Leveling Screws
Pre-assembled leveling screws allow for easy display adjustment after installation.



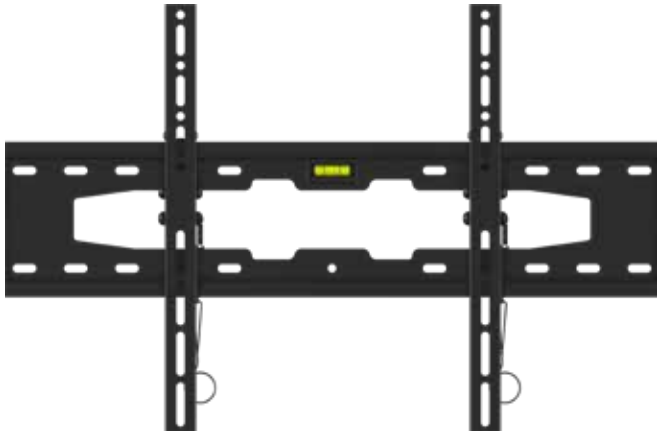
Mounting Hardware
Complete set of display mounting hardware, labeled for ease of use and ready to go.

Lateral Adjustment
Lateral adjustment functionality for positioning display in the right spot on the wall.

WTA64 Tilting Wall Mount

For 32"-75" displays

1-866-MOUNT-TV
www.crimsonav.com



Attribute	Value
Display size	32" - 75"
Weight capacity	100lb
Max mounting pattern	609x402mm
Depth from wall	1.40"
Tilt	15°
Construction	Aluminum/high-grade cold rolled steel
Product finish	Scratch resistant epoxy powder coat
Color	Black
Model number	WTA64
Product Weight	3.8 lb
Shipping Weight	4.6 lb
Warranty	Limited lifetime

Universal tilting wall mount for 32" to 75" flat panel screens. Up to +15° forward tilt and -12.5° backward tilt for easy access to rear of displays. Secure installation is quick and easy using the integrated level for perfect positioning and pre-sorted hardware. Open wall plate design provides easy access to wiring.

Maximum load rating: 100bs (45.5kgs)

